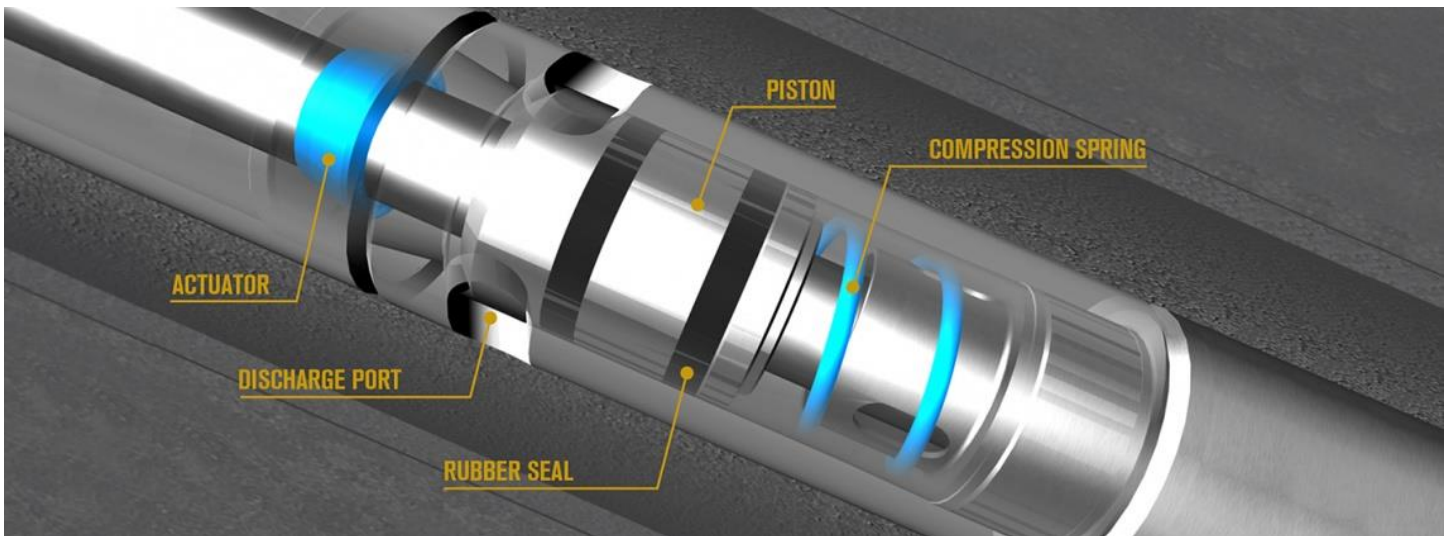




*solutions made simple*

## PCP PAR Valve Technical Overview

The Production Tool Solution PAR Valve™ is a proven tool used to prevent solids settling on top of progressing cavity pumps during shut down. The PAR Valve™ is deployed on the tubing string above the PCP discharge and controls communication between the annulus and tubing. Upon stopping a PCP, the valve enables the fluid and solids in the tubing to be diverted to the annulus without settling on top of the pump. This is achieved via the pressure of the hydrostatic head actuating a spring-loaded piston exposing the communication path. As soon as the pressure reaches equilibrium, the spring will reseat the piston thereby isolating the tubing from the annulus.



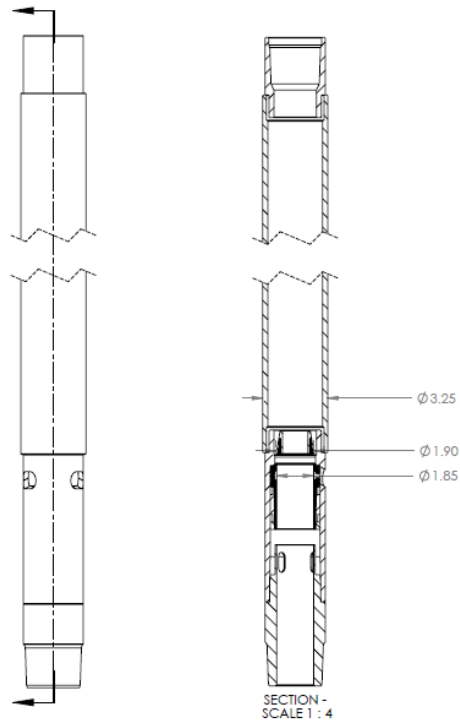
The PAR Valve comes in 3 different sizes. The size should be chosen in coordination with the tubing size that will be run to surface. The following section will highlight the relevant information pertaining to each size. Should further information be required, please contact your PTS representative or visit [www.ptsprotects.com](http://www.ptsprotects.com)



*solutions made simple*

## **2-3/8" PAR Valve**

- Outside Diameter = 3.25"
- Inside Diameter = 1.85"
- Actuator Outside Diameter = 1.90"
- For use with 1.25" polished rod
- Length = 75.5"  $\pm$  3"
- Body Metallurgy = 304 Stainless
- Actuator Material = PEEK
- Temperature Rating = 500F
- $\Delta P$  for Actuation = 150psi

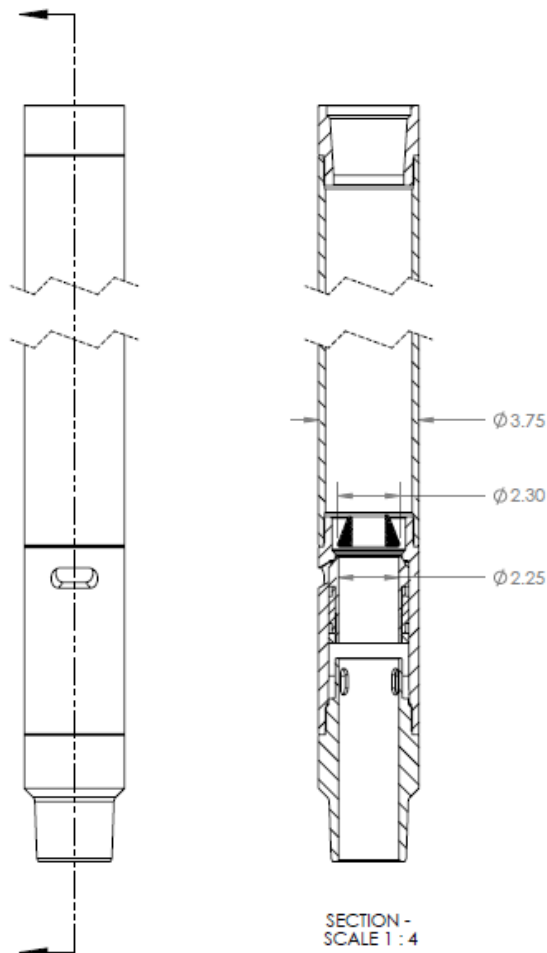




*solutions made simple*

## **2-7/8" PAR Valve**

- Outside Diameter = 3.75"
- Inside Diameter = 2.25"
- Actuator Outside Diameter = 2.30"
- For use with 1.25" or 1.5" polished rod
- Length = 75.5"  $\pm 3$ "
- Body Metallurgy = 304 Stainless
- Actuator Material = PEEK
- Temperature Rating = 500F
- $\Delta P$  for Actuation = 150psi





solutions made simple

### 3-1/2" PAR Valve

- Outside Diameter = 4.50"
- Inside Diameter = 2.80"
- Actuator Outside Diameter = 2.85"
- For use with 1.25" or 1.5" polished rod
- Length = 75.5" ± 3"
- Body Metallurgy = 304 Stainless
- Actuator Material = PEEK
- Temperature Rating = 500F
- ΔP for Actuation = 150psi

